



"Y" GLOBE VALVES - 2500 - Welded bonnet - Sw/Npt/Bw

Ratings (ASTM A105)

2500 p.s.i. @ 850°F
6170 p.s.i. @ 100°F

Test pressure (ASTM A105)

Hydraulic: (minimum)

Body - 9275 p.s.i.
Seat - 6800 p.s.i.

Air under water:

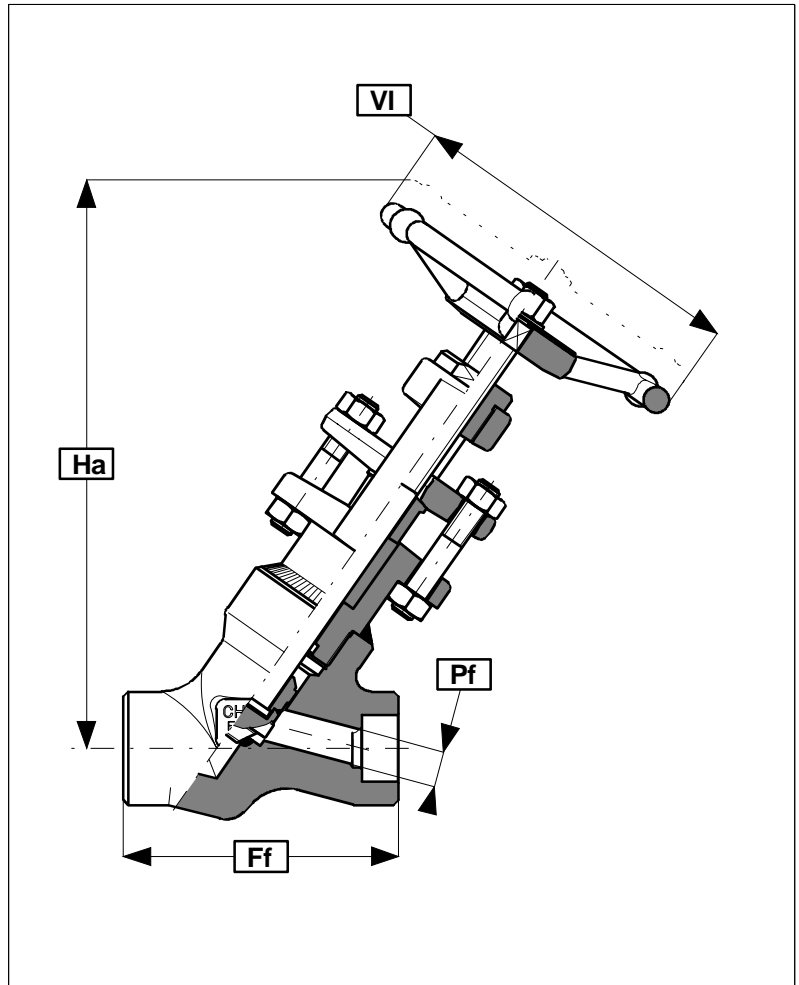
Seat - 85 p.s.i.

Standards

Construction founded on ASME B16.34
Socket weld ASME B16.11
Threaded ASME B1.20.1
Butt weld ASME B16.25
Test founded on API 598-ASME B16.34

Connections (xx)

SW Socket weld	BX Butt weld XXS
TH Threaded NPT	
TS Sw/NPT	
SE Sw (in)/NPT	
SU Sw (out)/NPT	
B6 But weld 160	



STANDARD BORE

			1/2"	3/4"	1"	1.1/4"	1.1/2"	2"
Ff (mm/in)			110 4,33	120 4,72	120 4,72	190 7,48	190 7,48	210 8,27
Ha (mm/in)			217 8,54	276 10,87	276 10,87	388 15,28	388 15,28	402 15,83
VI (mm/in)			140 5,51	200 7,87	200 7,87	260 10,24	260 10,24	350 13,78
Pf (mm/in)			10 0,39	13 0,51	18 0,71	24 0,94	28 1,10	35 1,38
Wt. (kg/lb)			4,0 8,8	5,0 11,0	11,0 24,2	11,0 24,2	17,0 37,4	23,0 50,6
Catal. no.			Y1152WB/xx	Y1153WB/xx	Y1154WB/xx	Y1155WB/xx	Y1156WB/xx	Y1157WB/xx

1) Standard and alternative valve materials on page 67, type A
2) Complete Pressure-Temperature ratings on page 68, 69, 70, 71,72
3) SW, NPT & BW dimensions on page 73